

# SpaceLogic™ AD v3 Wi-Fi Module

## Wi-Fi Module

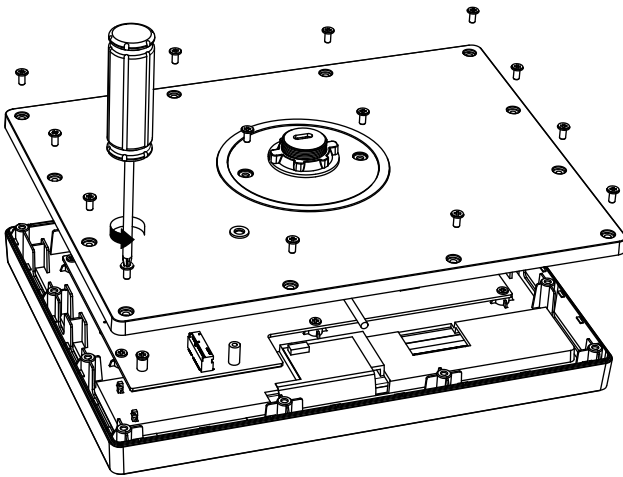
### Regulatory Compliance and Safety Information

Electrical equipment should be installed, operated, serviced, and maintained only by qualified personnel. No responsibility is assumed by Schneider Electric for any consequences arising out of the use of this material. Carefully read these instructions and all information relevant for this product before trying to install it. See the list of technical literature. The technical literature and declarations of conformity can be accessed on the Schneider Electric Exchange website, [ecobuilding.schneider-electric.com](http://ecobuilding.schneider-electric.com). Contact your local Schneider Electric sales office for a hard copy of the documentation or for additional information.

### Technical Literature

- SpaceLogic Hardware Reference Guide, 04-XX001-XX-en
- SpaceLogic AD v3 Installation Sheet, 02-XX020-XX-en

### Removing the AD v3 Back Cover



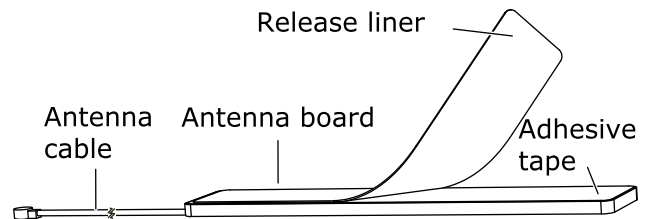
### Removing the Release Liner from the Antenna

#### NOTICE

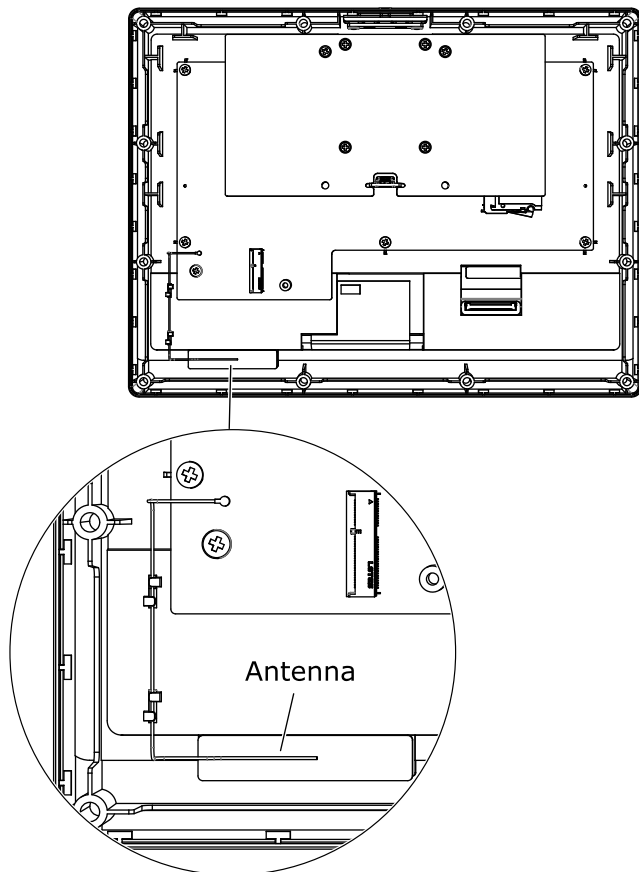
##### ANTENNA DAMAGE

Handle the antenna board and its integrated cable with care.

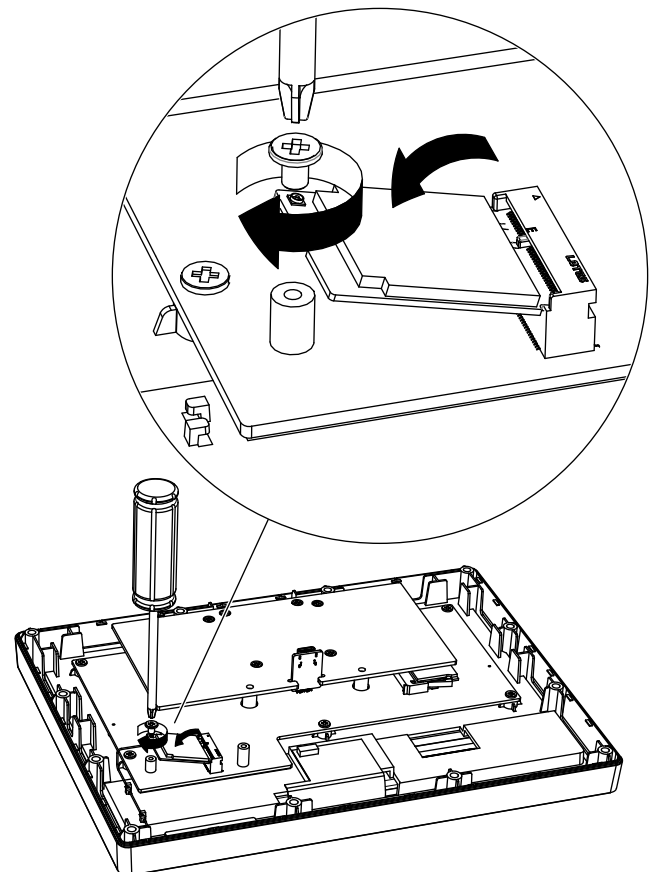
**Failure to follow these instructions can result in antenna damage.**



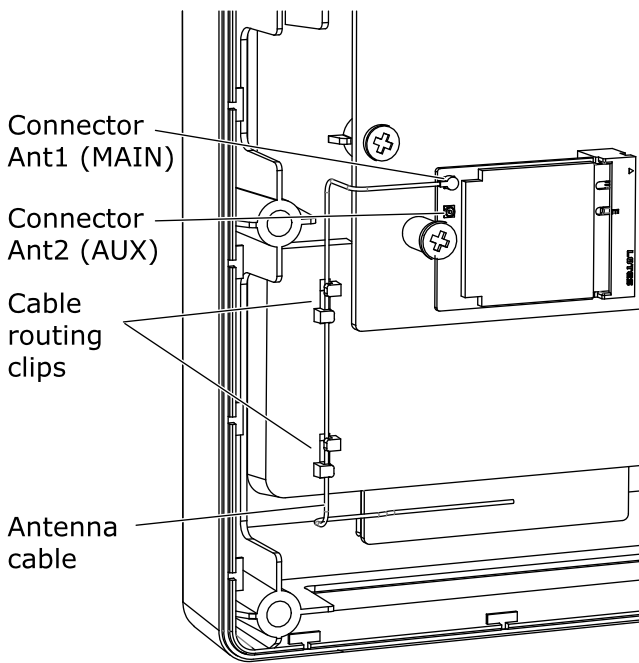
### Attaching the Antenna



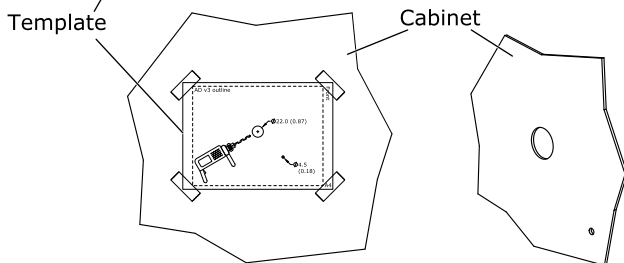
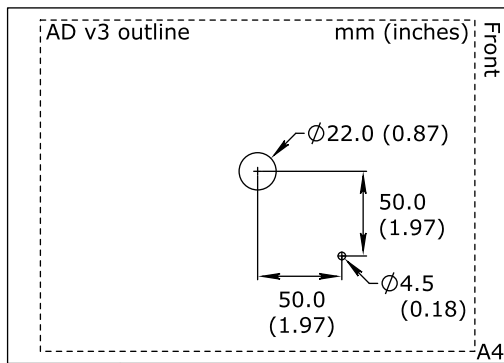
### Installing the Wi-Fi Module



## Connecting the Antenna Cable



## Making the Holes in a Cabinet



## Replacing the AD v3 Back Cover

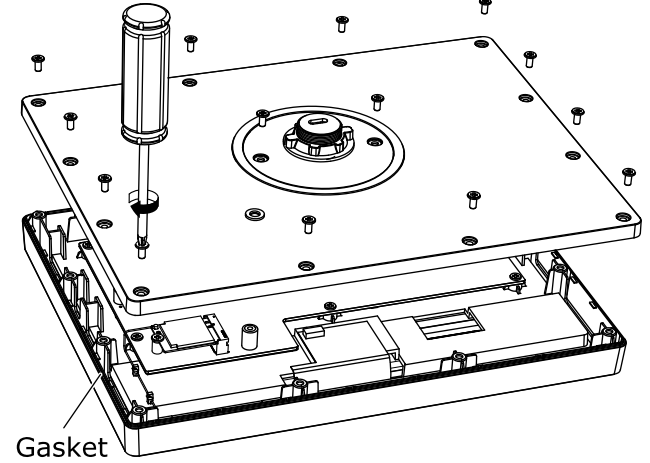
### NOTICE

#### EQUIPMENT DAMAGE

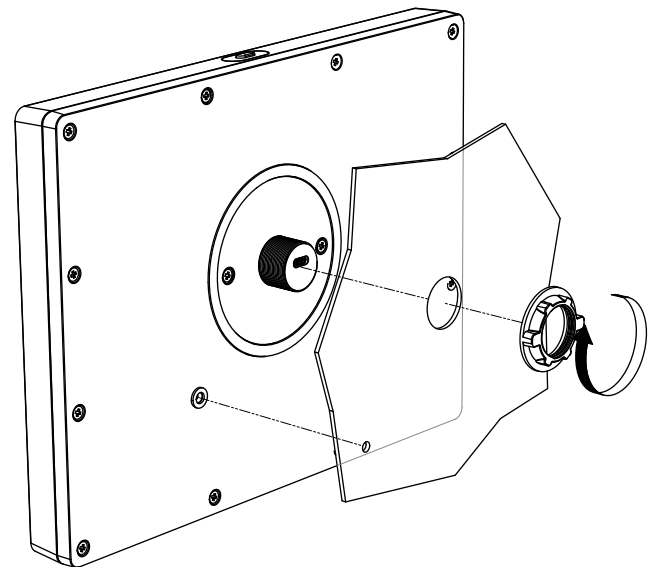
Ensure that the gasket is properly fitted into the groove of the front cover before replacing the back cover.

Failure to follow these instructions can result in equipment damage.

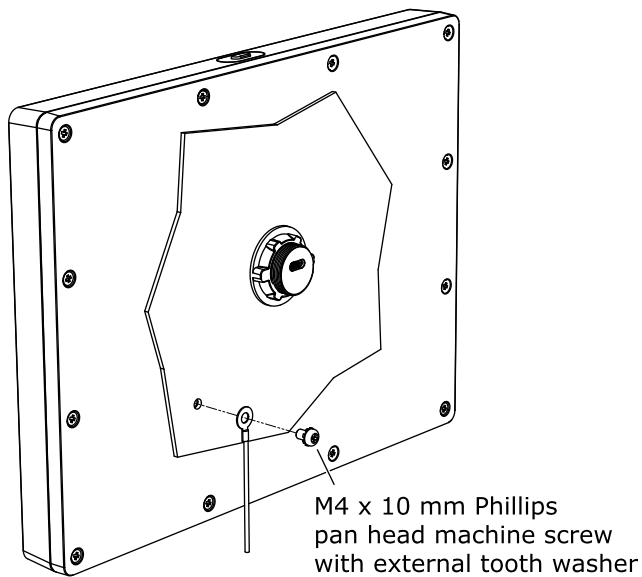
Maximum 0.4 Nm (3.5 lbf.in)



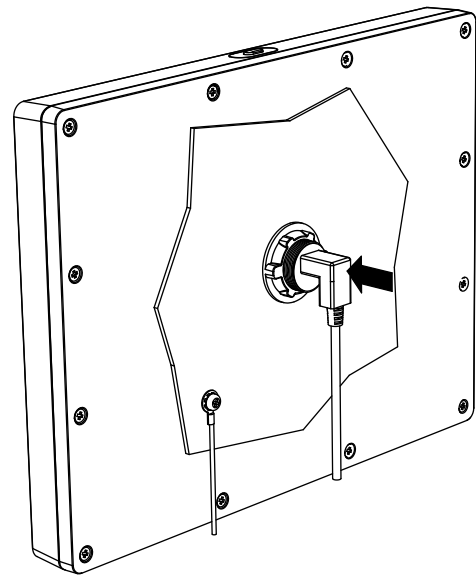
## Installing AD v3 on a Cabinet



## Connecting the Earth Ground Wire



## Connecting the AD v3 Cable



## Connecting AD v3 to a DC Power Supply

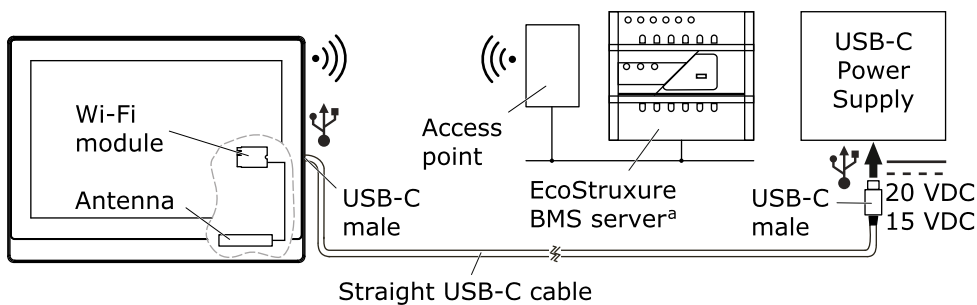
### NOTICE

#### EQUIPMENT DAMAGE

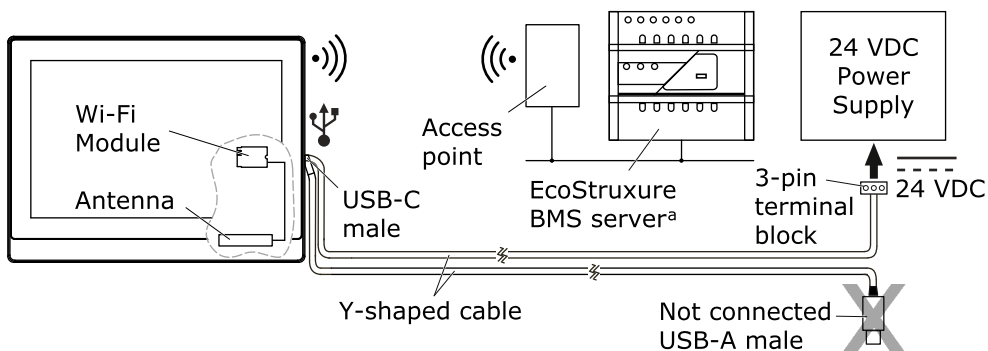
- Never connect AD v3 to an AC power supply.
- Do not use the Y-shaped cable to power any USB devices other than AD v3.

Failure to follow these instructions can result in equipment damage.

## Connection to 20 VDC or 15 VDC USB-C power supply using straight USB-C cable



## Connection to 24 VDC power supply using Y-shaped cable



a) AS-P, AS-B, or Enterprise Server

## Connecting AD v3 to a Wireless Access Point

- Press the AD v3 power button.
- From the Home screen, swipe up, and then tap **Settings**.
- Tap **Network & Internet** and then tap the Wi-Fi On/Off switch to turn Wi-Fi on, if required.
- Tap **Wi-Fi** and then tap the network you want to connect to.
- Type a password to connect, if required.

## Configuring Kiosk Mode

- Press the AD v3 power button.
- From the Home screen, tap the **HMI Kiosk** icon.
- Enter a password to be used for HMI Kiosk and tap **Submit**.

- The password must be at least 12 characters long and include an uppercase character, a lowercase character, a digit, and a symbol. To use a shorter password, tap **Use a 6-character password**.
- Each device should be configured with a strong and unique password. Do not reuse the password for multiple devices.
- Remember the password as there is no recovery key.
- Change the WebStation address as required.
- Configure the screen timeout, if required.
- Select the **WebStation** shortcut to run in Kiosk mode.
- Tap **Lock & Launch**.


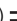
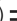
## Part Numbers

Device	Part number
AD v3 Wi-Fi Module	SXWADWIFI10001
AD v3 bundle	SXWADBUND10003
AD v3 cable, straight, USB-C, 2.4 m (7.87 ft)	SXWADUSBC10001
AD v3 cable, Y-shaped, 1.35 m (4.43 ft)	SXWADUSBC10002
AD v3 cable, Y-shaped, 2.85 m (9.35 ft)	SXWADUSBC10003

## Specifications

### Power input

#### AD v3 - Nominal voltage

24 VDC   
 20 VDC (USB-C)   
 15 VDC (USB-C) 

#### Typical example of 24 VDC power supply

ABLM1A24012 (Schneider Electric)

#### Recommended USB power supply ratings

20 VDC, 1 A (20 W)  
 15 VDC, 1.5 A (22.5 W)

#### AD v3 - Power consumption

17.3 W (0.72 A at 24 VDC)  
 17.6 W (0.88 A at 20 VDC)  
 19.0 W (1.27 A at 15 VDC)

#### Wi-Fi module - Power consumption

max. 0.66 W (199 mA at 3.3 V)

### Communications

#### Communication protocol

IEEE 802.11 b/g/n

#### Frequency

2.412 to 2.472 GHz

#### Radio signal range

40 m (131 ft) free space

#### Security

WEP 64-bit and 128-bit key, WPA, WPA2

### Connectors

#### Card connector

M.2 2230 connector, key E, PCI Express

#### Antenna connectors (card)

2 IPEX-4 connector receptacles:

Ant1 (MAIN): Wi-Fi Tx/Rx

Ant2 (AUX): Wi-Fi Rx

Use only the Ant1 connector receptacle.

#### Antenna

#### Peak gain

2.91 dBi (at 2.484 GHz)

#### VSWR

<= 2.5

### Wi-Fi module - Operation environment

#### Ambient temperature, operating

0 to 70 °C (32 to 158 °F)

#### Humidity

15 to 95 % RH non-condensing

### AD v3 - Operation environment

#### Ambient temperature, operating

0 to 40 °C (32 to 104 °F)

#### Humidity

Maximum 95 % RH non-condensing

### Wi-Fi module - Mechanical

#### Dimensions (W x H x D)

22 x 30 x 2.3 mm (0.87 x 1.18 x 0.09 in.)

#### Weight

2.1 g (0.074 oz)

### AD v3 - Mechanical

#### Ingress protection rating

IP 54

#### Plastic flame rating

UL94 V-0

#### Dimensions (W x H x D)

258 x 195.6 x 25 mm (10.2 x 7.7 x 1.0 in.)

#### Weight (excluding nut)

0.933 kg (2.056 lb)

### Regulatory compliance

#### EMC, safety, and environment

FCC CFR 47 Part 15 Class B, ICES-003  
 Class B, RCM, CE - RED 2014/53/EU, RoHS  
 2011/65/EU and 2015/863/EU

## Addendum - California Proposition 65 Warning Statement for California Residents

For the Wi-Fi module and antenna, the following warning statement applies:

**⚠ WARNING:** This product can expose you to chemicals including Diisononyl phthalate (DINP), which is known to the State of California to cause cancer. For more information go to [www.P65Warnings.ca.gov](http://www.P65Warnings.ca.gov)

For the AD v3 bundle, the following warning statement applies:

**⚠ WARNING:** This product can expose you to chemicals including lead and Diisononyl phthalate (DINP), which are known to the State of California to cause cancer, and lead, which is known to the State of California to cause birth defects or other reproductive harm. For more information go to [www.P65Warnings.ca.gov](http://www.P65Warnings.ca.gov)

For the AD v3 cables, the following warning statement applies:

**⚠ WARNING:** This product can expose you to chemicals including Diisononyl phthalate (DINP), which is known to the State of California to cause cancer. For more information go to [www.P65Warnings.ca.gov](http://www.P65Warnings.ca.gov)