

STD200

Duct Temperature Sensor NTC 10 k Ω for I/Net



Product Description

The STD200 temperature sensor is intended for air duct mounting. A plastic duct mounting bracket is supplied with a securing screw.

The STD200 housing is equipped with a 20 mm cable fitting.

Available Products

Part Number	Model	Probe mm (in)	NL mm (in)	Weight g (lb)	System
5123030010	STD200-50	50 (1.97)	63 (2.48)	113 (0.25)	I/Net
5123032010	STD200-100	100 (3.94)	113 (4.45)	117 (0.26)	
5123034010	STD200-150	150 (5.9)	163 (6.42)	120 (0.26)	
5123036010	STD200-200	200 (7.87)	213 (8.39)	123 (0.27)	
5123038010	STD200-250	250 (9.84)	263 (10.35)	126 (0.28)	
5123040010	STD200-300	300 (11.81)	313 (12.32)	130 (0.29)	
5123042010	STD200-400	400 (15.75)	413 (16.26)	138 (0.30)	

Accuracy

At Temperature	Accuracy
-25 °C (-13 °F)	±0.5 °C (±0.9 °F)
0 °C (32 °F)	±0.2 °C (±0.4 °F)
25 °C (77 °F)	±0.2 °C (±0.4 °F)
50 °C (122 °F)	±0.2 °C (±0.4 °F)
70 °C (158 °F)	±0.2 °C (±0.4 °F)
100 °C (212 °F)	±0.5 °C (±0.9 °F)

North America (USA): +1 888 444 1311
 Europe, Middle East & Africa (Sweden): +46 10 478 2000
 Asia Pacific (Singapore): +65 6484 7877
 product.support@schneider-electric.com
 www.schneider-electric.com

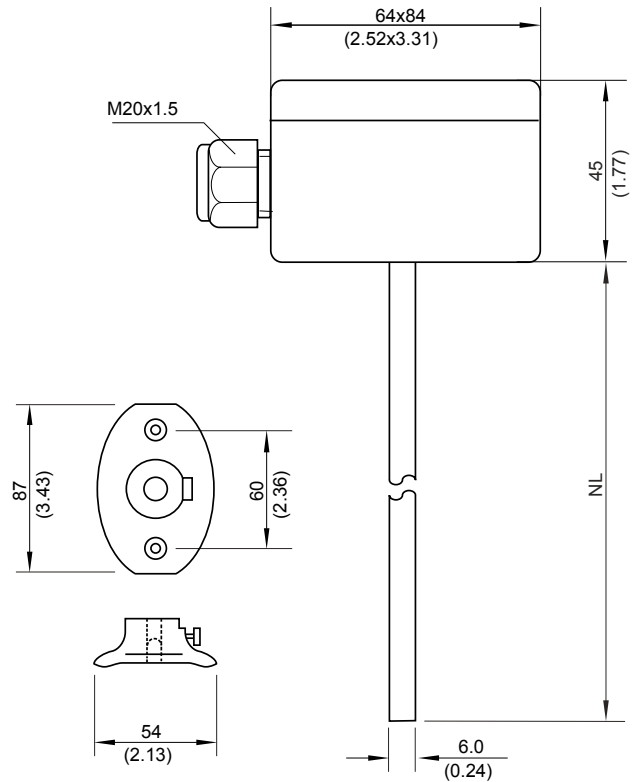
Life Is On

Schneider
Electric

Specifications

Sensor element.	NTC, 10 kΩ at +25 °C (77 °F)
Enclosure rating	IP 65
Dimensions	See Dimensions figure at right
Accuracy	See Accuracy table above
Time Constants	
Air velocity 1.5 m/s	Approx. 72 s
Air velocity 3.0 m/s	Approx. 52 s
Materials	
Immersion tube	Stainless steel
Connection box	Polyamid plastic
Mounting flange	Black plastic
Temperatures	
Ambient	Min. -40 °C (-40 °F) Max. 130 °C (266 °F)
Operating	Min. -40 °C (-40 °F) Max. 150 °C (302 °F)
Standards	
EMC	EN 61326-1, EN 61326-2-3

Dimensions mm (in.)



Wiring

