



Product data sheet

Z6-BS1-P

CONV. BASE 2-WIRE PW

General

The Z6-BS1-P is a Polar White conventional fire detector base. It allows any Z600 conventional detector to be removed or replaced without disconnecting wiring from detector terminals. Detectors plug into the base units with a simple twist and lock action, allowing quick and easy removal for cleaning and servicing, or reselection of detector type should the usage of the protected area change.

Designed for systems where head out continuity is not a requirement, detector line monitoring is provided by a suitable end of line resistor, connected across the out terminals of the final device in the circuit.

Robust wiring terminals

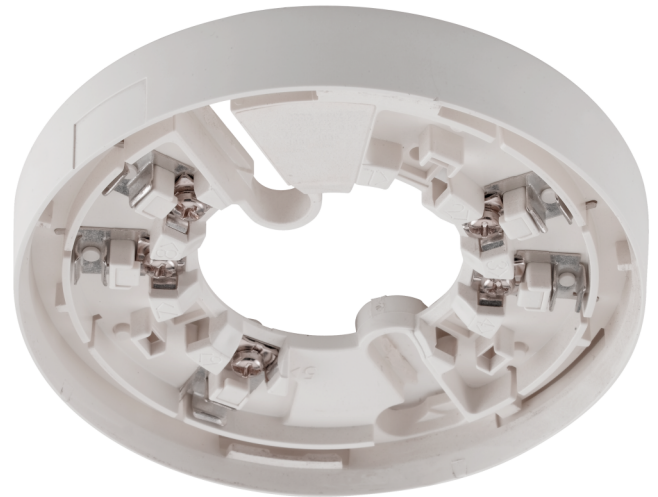
Forming an integral part of the overall detector assembly, the base is provided with slots for screw fixing to either surface wiring plates or conduit boxes with screw fixing centres between 50 and 90 mm.

The Z6-BS1-P features robust wiring terminals with captive clamping washers to ensure secure wiring termination. They are of shallow design with ample space to accommodate cables of all types. Terminals are provided inside the moulding for the connection of a remote LED when required.

Automatic locking

In order to prevent unauthorised removal of a detector from its base, an automatic locking breakout is incorporated into all detector mouldings. When this breakout is removed, detectors can only be released from their bases by using a special tool. The locking facility is an easily applied option often taken on site at the system commissioning stage.

For systems complying with the recommendations of BS5839 Pt1, where the removal of a detector from its base must not effect the operation of devices wired further down the line, the Z6-BS5-P base should be used.



Details

- Common for all Z600 series detectors
- Automatic locking option
- Easy to install

Z6-BS1-P

CONV. BASE 2-WIRE PW

Technical specifications

General

Compatibility	Ziton Z600 conventional systems
Connectivity	Zone and remote indicator

Physical

Physical dimensions	108 x 18 mm (Ø x H)
Net weight	52 g
Colour	Polar white
Mounting type	Ceiling mount
Cable entries	1
Material (body)	Moulded ABS
No. of cable cores	2 x zonal, 2 x remote LED
Terminals	5
Mounting type	Conduit box or surface wiring plate
Fixing holes	Slot for 50 to 90 mm fixing centres

Environmental

Vandal proof	No
Operating temperature	-10 to +75°C
Relative humidity	20 to 95% noncondensing
Environment	Indoor

Standards & regulation

Compliance	CE, REACH, RoHS 2, WEEE
Standards	EN54 (with relevant detector)

